



BUTTERFLY VALVES





Vahn-Tech International Inc. (An ISO 9001-2015 Certified Company) is a customer focused organization based on “Value-add” and “Quality Service” principles. Achieving long term partnership with our customers and being their supplier of choice is our prime mission. We develop, manufacture and market VAHN-TECH (vt) branded Valves, Actuators, Automatic Control Valves and various flow control accessories. Vahn-Tech actuators are available in both quarter-turn and multi-turn configurations and are available in both pneumatic and electrical operating types. Our Product Range includes:

- ✦ Gate Valves
- ✦ Butterfly Valves
- ✦ Knife Gate Valves
- ✦ Ball Valves
- ✦ Globe Valves
- ✦ Check Valves
- ✦ Plug Valves
- ✦ Air Release Valves
- ✦ Actuators
- ✦ And a Variety of Control Valves

Our products conform to high quality standards and find extensive uses in:



Oil and Gas



Water and Sewage,
Desalination



Chemicals



Paper and Pulp



Irrigation



Power Plants



Various
Industrial Applications

Following material configurations are available:

Ductile Iron, Cast Iron, Carbon Steel, Stainless Steel (SS304, SS304L, SS316, SS316L, Duplex Stainless Steel), Super Duplex, Alloy, Monel and Inconel with variety of seating and stem configurations.

We are a flexible and agile corporation that is able to adapt to the varying customer requirements.



Butterfly Valves (PTFE Lined)

The two-piece body of wafer type butterfly valves with takes a whole package PTFE sealed and painting skills for the body. The painting thickness can reach up to 3~4 mm, which effectively avoids the direct interaction between the body and the medium and the medium's corrosion for the body. Different painting skills and materials of valve's disc are taken according to the customer's need, such as PTFE and nylon painting, stainless steel and bronze material for the body, etc.

Design Features:

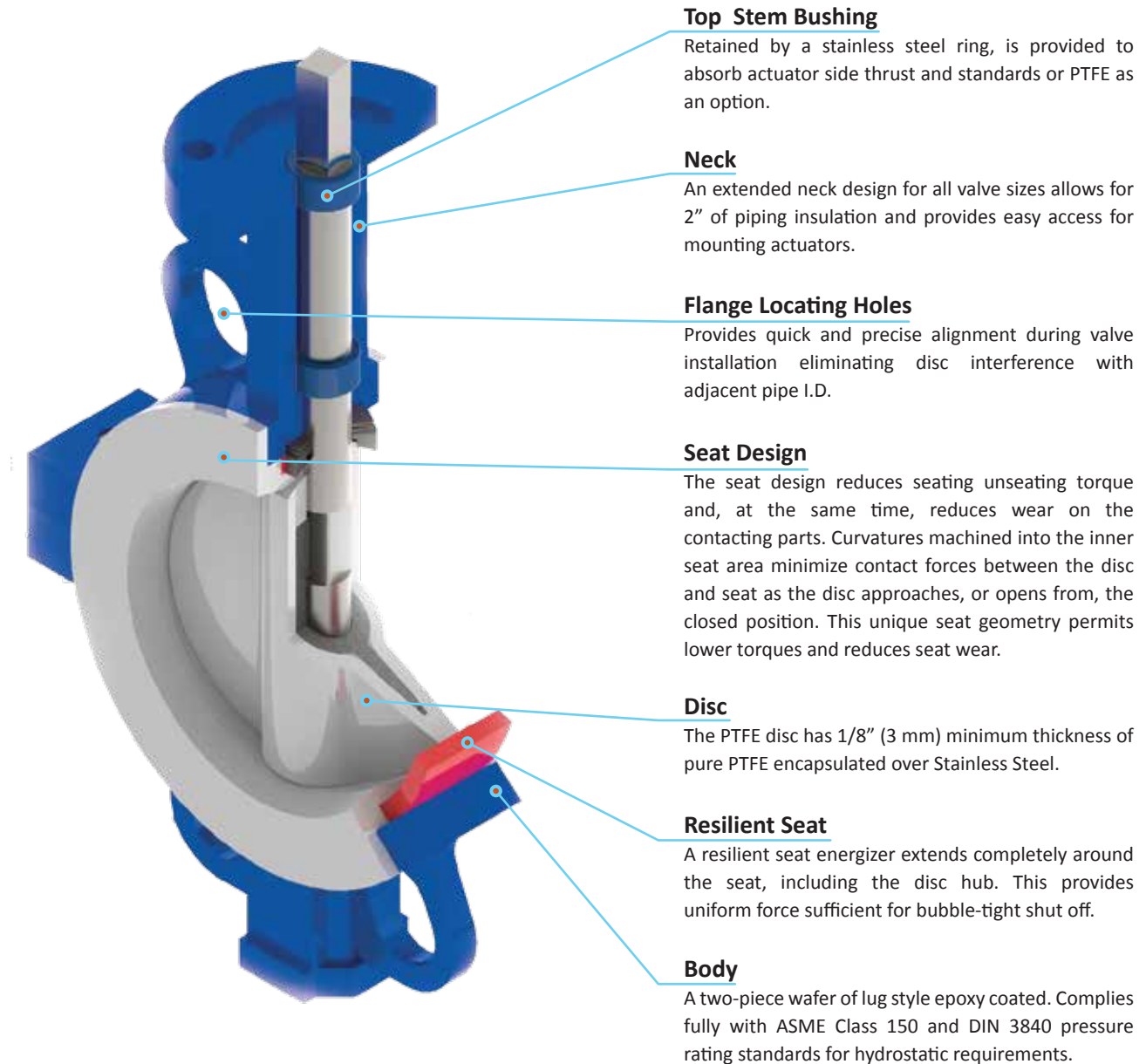
- ✦ Absolute tight sealing with flow in either direction.
- ✦ The valve body and disc are accurately machined which results in low operating torque and long service life and reliability.
- ✦ PTFE liner seated prevents corrosion and guarantees long service life.
- ✦ Can be disassembled, material specific recycling possible
- ✦ Can be installed at the end of pipe for lugged type butterfly valve



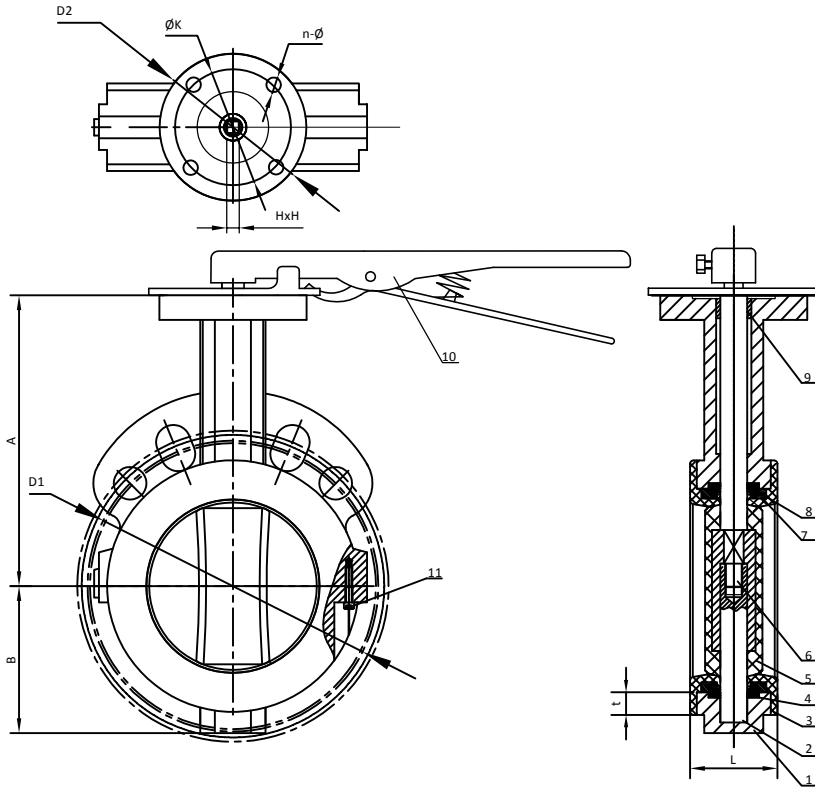
Specifications and Compliances

Design Standard	:	API 609
Face-to-Face Standard	:	API 609
Connection Standard	:	ASME B16.5 / EN 1092-2 / JIS B 2220 10K / AS 2129
Applicable Temperature	:	-29°C to 200°C
Test & Inspection	:	API 598

Main Parts (2" - 24")



Butterfly Valves (2" - 12")



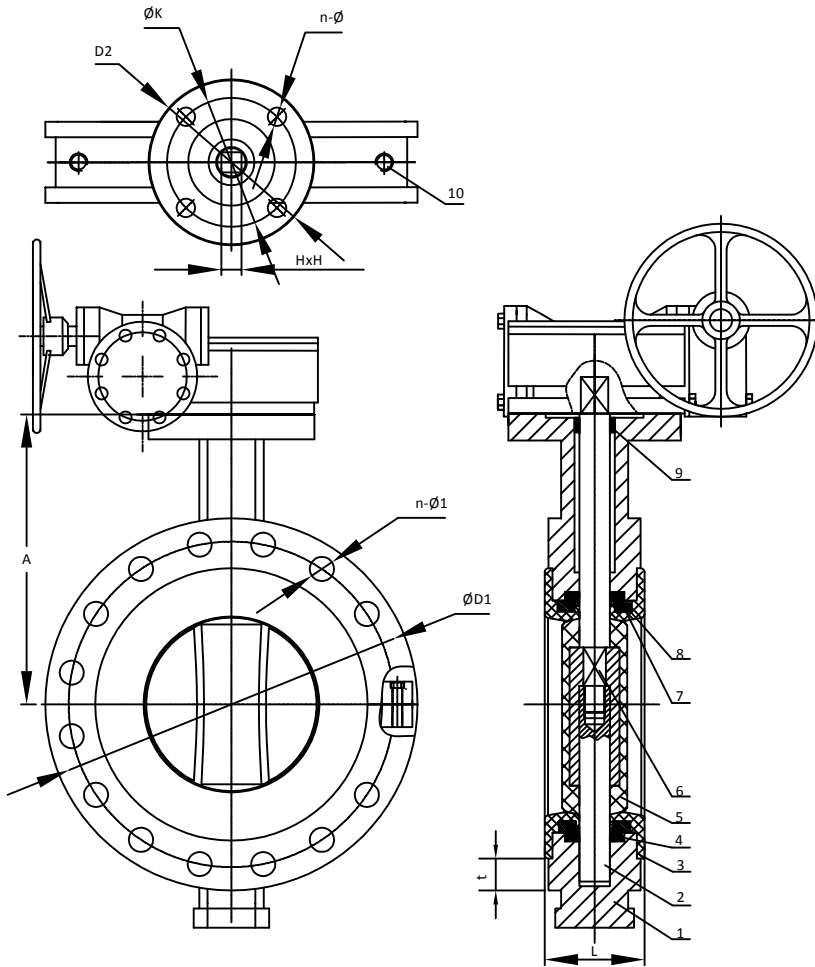
Parts List & Materials

No	Parts Name	Materials
1	Body	Ductile Iron
2	Down Shaft	SS410
3	Seat	PTFE
4	Butterfly Spring	Spring Steel
5	Disc	PTFE + CF8M
6	Up Shaft	SS410
7	Seat Energizer	Silicone
8	Pressing Sleeve	Stianless Steel
9	Bushing	PTFE
10	Lever	Malleable Iron
11	Bolt	SS304

unit: mm

Size		Main Dimension									ISO 5211
Inch	mm	L	A	B	D1	D2	K	n - ø	H x H	t	
2"	50	43	140	70	120.7	90	70	4 - 10	9 x 9	12	F07
2 1/2"	65	46	150	80	139.7	90	70	4 - 10	9 x 9	14	F07
3"	80	46	160	85	152.4	90	70	4 - 10	9 x 9	14	F07
4"	100	52	178	110	190.5	90	70	4 - 10	11 x 11	14	F07
5"	125	56	190	120	215.9	90	70	4 - 10	14 x 14	16	F07
6"	150	56	200	135	241.3	90	70	4 - 10	14 x 14	17	F07
8"	200	60	240	170	298.5	125	102	4 - 12	17 x 17	21	F10
10"	250	68	273	195	36	125	102	4 - 12	22 x 22	22	F10
12"	300	78	310	220	431.8	125	102	4 - 12	22 x 22	22	F10

Butterfly Valves (14" - 24")

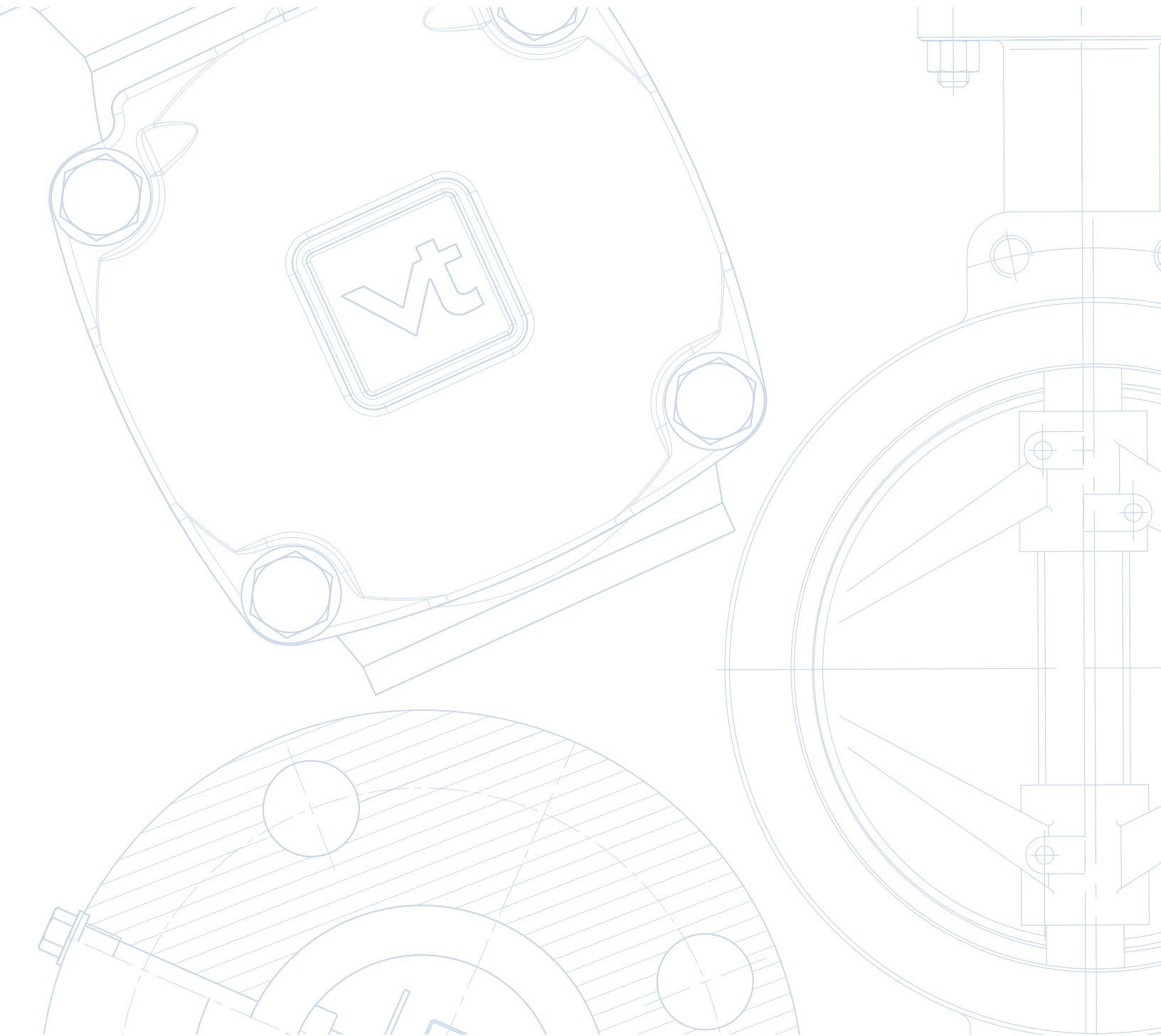


Parts List & Materials

No	Parts Name	Materials
1	Body	Ductile Iron
2	Down Shaft	SS410
3	Seat	PTFE
4	Butterfly Spring	Spring Steel
5	Disc	PTFE + CF8M
6	Up Shaft	SS410
7	Seat Energizer	Silicone
8	Pressing Sleeve	Stianless Steel
9	Bushing	PTFE
10	Bolt	SS304

unit: mm

Size		Main Dimension								ISO 5211
Inch	mm	L	A	D1	D2	K	n - ϕ	H x H	t	
14"	350	78	346	476.3	125	102	4 - 12	22 x 22	39	F10
16"	400	102	375	539.8	175	40	4 - 18	27 x 27	43	F14
18"	450	114	406	577.9	175	140	4 - 18	27 x 27	28	F14
20"	500	127	438	635.0	210	165	4 - 22	36 x 36	30	F16
24"	600	154	495	749.3	210	165	4 - 22	36 x 36	31	F16



VAHN-TECH International Inc.

2608-88, Blue Jays Way, Toronto, Ontario, M5V 0L7, Canada

Tel.: +1 416 342 0001 E-mail: info@vahn-tech.com

www.vahn-tech.com